

# Comfort KUN3224



## Article

---

Item no.	Description
178375	<b>Comfort KUN3224</b> Underfloor operator set for 2-leaf swing gates up to 3.5 m: 24 V-DC motor, 250 Nm, 90°, without encoder

## Scope of delivery

---

- First and second motor unit without foundation box, pre-wired, 2x1.5 mm<sup>2</sup> 1,500 mm
- External control unit Control CBX20224H with integrated radio receiver, 868 MHz bi.linked
- 2 Digital 572 Micro hand transmitter 2-channel, 868 MHz bi.linked
- LS22 One-way photoelectric sensor without cable

## Features

---

### Comfort UN3224

#### Features

- Current-dependent obstacle detection - no active closing edge protection necessary (only operators with encoder)
- Intergrated mechanical stops OPEN and CLOSED
- Robust metal gearbox
- Very quiet mechanism
- All mechanical parts protected against weather influences
- Lockable unlocking device
- Compatible with foundation boxes from other manufacturers (additional accessories required)

## CBX20224H

### Features functions

- Current-dependent obstacle detection with reversal
- Soft start/soft stop/soft run
- Automatic feed function
- Gate open time and prewarning time separately programmable
- Lighting duration programmable and switchable by radio
- Partial opening programmable
- Running speed OPEN and CLOSE separately programmable
- Soft run speed OPEN and CLOSE separately programmable
- Soft run position OPEN and CLOSE separately programmable
- Cycle counter
- Maintenance interval programmable
- Error signaling
- Simple reset function (complete reset)

### Features operation

- Same programming logic for all controls - CBX102B, CBX10224 and CBX20224
- 2 menus: simple and advanced - for easy programming, but customizable installation
- Programming and status indication via LED display

### Features structure and connection

- Battery backup can be integrated in the housing
- Integrated radio receiver bi.linked 868 MHz
- Connection (conventional) for push button
- Connection (conventional) for 4-wire photoelectric sensor OPEN and CLOSED
- Connection (conventional) for holding circuit
- Connection (conventional) for 8.2 kOhm contact strip
- Connection (conventional) for 24 V-DC signal light
- Connection (conventional) for 12 V-AC electric lock
- Connection for battery backup
- Output 24 V-DC, max. 250 mA

## Digital 572

### Features

- 2 function keys for free assignment
- Signaling by red LED
- Eyelet for attachment to keychain or lanyard
- High security through 128-bit AES-encrypted radio transmission and constantly changing radio code (rolling code method)

## Use

---

### CBX20224H

- For Comfort ST500, RA4224E and UN

### Digital 572

- For all Marantec controls and third-party products (in conjunction with corresponding bi.linked receiver)

## Technical data

---

### Comfort UN3224

- Encoder: No
- Continuous sound pressure level (max.) [dB(A)]: 70
- Connection type: Conventional
- Protection class: IP67
- Width gate wing (max.) [m]: 3.5
- Weight of gate leaf (max.) [kg]: 600
- Gradient (max.) [%]: 0
- Temperature (min.) [°C]: -20
- Temperature (max.) [°C]: 55
- Temperature (min./max.) [°C]: -20/55
- Temperature (min.) [°F]: -4 °F
- Temperature (max.) [°F]: 131 °F
- Output torque [Nm]: 250
- Operating mode (duty cycle): S2 - 8 min
- Motor power [kW]: 0.12
- Opening angle (max.) [°]: 90
- Operating voltage [V]: 24 V-DC
- Operating voltage type: Direct current
- Motor voltage [V]: 24 V-DC
- Rated current [A]: 5
- Width [mm]: 346
- Height [mm]: 160
- Depth [mm]: 412
- Depth (min.) [mm]: 412
- Depth (max.) [mm]: 412
- Weight [kg]: 10.8
- Garantie: 5 years

## CBX20224H

- Radio frequency: 868 MHz
- Radio technology: bi.linked
- Temperature (min.)[°C]: -20
- Temperature (max.)[°C]: 55
- Temperature (min./max.)[°C]: -20/55
- Temperature (min.)[°F]: -4
- Temperature (max.)[°F]: 131
- On-site supply: 230 V/1~/50 Hz 230 V/1~/60 Hz
- Operating voltage [V]: 24 V-DC
- Motor voltage [V]: 24 V-DC
- Control voltage [V]: 24 V-DC
- Load capacity Power (max.)[kW]: 0.28
- Width [mm]: 222
- Height [mm]: 275
- Depth [mm]: 110
- Packing width: 234
- Packing height: 128
- Packing depth/length: 298
- Packing weight: 4.538
- Freight forwarding articles: No
- GTIN: 4062434006641
- Customs tariff number: 85371098
- Country of origin 1000: Italien
- Garantie: -

## Digital 572

- Housing type: Micro
- Number of freely programmable keys: 2
- Channels: 2
- Antenna: Integrated
- Radio frequency: 868 MHz
- Radio technology: bi.linked
- Radio coding: Marantec
- Communication direction: Unidirectional
- Color: RAL 9005 RAL 9016
- Temperature (min.)[°C]: -20
- Temperature (max.)[°C]: 60
- Temperature (min./max.)[°C]: -20/60
- Temperature (min.)[°F]: -4
- Temperature (max.)[°F]: 140
- battery type: CR2032, 3 V
- Battery count: 1

- Width [mm]: 39
- Height [mm]: 60
- Depth [mm]: 12
- Weight [kg]: 0.03
- Packing width: 56
- Packing height: 52
- Packing depth/length: 76
- Packing weight: 0.055
- Freight forwarding articles: No
- GTIN: 4062434000922
- Customs tariff number: 85269200
- Country of origin 1000: Deutschland
- Garantie: 2 years

## Accessories

---

Item no.	Description
178397	<b>CF3</b> Cataphorized foundation box with galvanized cover and rotating arm with unlocking device
178398	<b>CI3</b> Stainless steel foundation box with lid and rotating arm with unlocking device
178400	<b>OP100</b> Chain arm for opening angle > 100°. Max. Leaf length 3 m
178401	<b>ADUN</b> Adapter for CAME foundation boxes

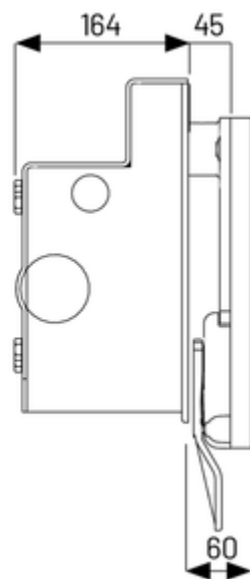
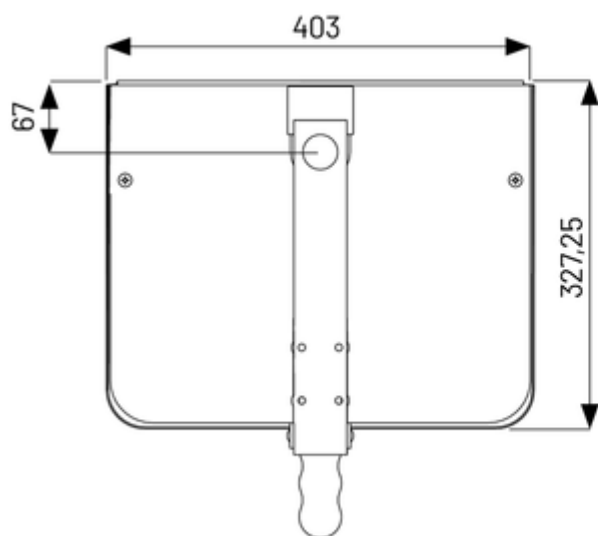
## Successors

---

Item no.	Description	Market launch
191491	<b>Comfort UN3224</b> Unterflurantrieb-Set für 2-flügelige Drehtore bis 3,5 m: 24 V-DC Motor, 250 Nm, 90°, ohne Encoder	2023-08-15

## Technical drawings

### Comfort UN3224



CBX20224H

