

Comfort 525



Article

Item no.	Description
101062	Comfort 525 Set for single-leaf swing gates up to 3.0 m: 24 V DC motor, 3,000 N, 2.0 cm/s, 120°

Scope of delivery

- Motor unit, pre-wired 6x0.75 mm² 1,500 mm
- External control Control x.52
- Digital 921 Module receiver, 868 MHz bi.linked
- Digital 564 mini hand transmitter 4-channel, 868 MHz bi.linked
- Gate and angle bracket
- Installation material

Features

Comfort 525

Features

- Current-dependent obstacle detection - no active closing edge protection necessary
- DC motor: soft start and stop are gentle on the door, separately adjustable opening and closing speeds enable fast opening and standard-compliant closing
- End position setting directly at the control
- Reference point technique
- Very quiet mechanism
- All mechanical parts protected against weather influences

- Sturdy die-cast aluminum housing and UV-resistant plastic covers
- Gate and pillar angle for easy motor installation
- Lockable unlocking device
- Can be used on rising gates up to a slope of 10% (additional accessories required)

Control x.52

Features functions

- Power-saving technology
- Soft start/soft stop/soft run
- Electronic anti-deferral device
- Blocking protection
- Runtime limit
- Automatic feed function (can only be used in conjunction with a light barrier)
- Gate open time and prewarning time separately programmable
- Lighting duration programmable and switchable by radio
- Automatic cut-out OPEN and CLOSE separately programmable
- Partial opening programmable
- Active leaf function programmable for 2-leaf gates
- Running speed OPEN and CLOSE separately programmable
- Soft run position OPEN and CLOSE separately programmable
- Soft run speed OPEN and CLOSE separately programmable
- Relay output programmable: signal light, door position OPEN or CLOSED, wipe impulse (1 s), fault, lighting
- Cycle counter
- Maintenance interval programmable
- Error signaling with error memory
- Multi-level reset function (control, safety, radio, etc.)

Features operation

- Marantec EOS programming
- Programming and status message via LC display
- Programming and diagnostics possible via optional external handheld programmer

Features structure and connection

- Pluggable radio receiver
- Connection (conventional) for push button
- Connection (conventional) for 2-wire or 4-wire photoelectric sensor OPEN and CLOSED
- Connection (conventional) for holding circuit
- Connection (conventional) for 8.2 kOhm contact strip OPEN and CLOSED
- Connection (conventional) for 24 V-DC signal light
- Connection (conventional) for electric lock 24 V-DC
- Connection (MS bus) for handheld programmer and expansion modules
- Connection for battery backup
- Output 24 V-DC, max. 50 mA

Digital 921

Features

- IMPULSE function
- Generous memory for up to 200 keys
- Directly pluggable into the control system
- Compact size

Digital 564

Features

- 4 function keys for free assignment
- Signaling by red LED
- Eyelet for attachment to keychain or lanyard
- High security through 128-bit AES-encrypted radio transmission and constantly changing radio code (rolling code method)

Use

Control x.52

- For Comfort 515 (L), 516 (L), 525 (L) and 530 L

Digital 921

- For Comfort 260 (accu/speed), 270 (speed), 280, 360, 370, 380 and 390 (plus) from control box R10. For Control x.52, CS 265 and VTA

Digital 564

- For all Marantec controls and third-party products (in conjunction with corresponding bi.linked receiver)

Technical data

Comfort 525

- End position system: Reference point technique
- Overload protection: Shutdown via current consumption
- Continuous sound pressure level (max.) [dB(A)]: 70
- Connection type: Conventional
- Protection class: IP44
- Width gate wing (max.) [m]: 3
- Height gate wing (max.) [m]: 2
- Weight of gate leaf (max.) [kg]: 400

- E dimension (min.) [mm]: 0
- E dimension (max.) [mm]: 160
- E dimension (min./max.) [mm]: 0/160
- Gradient (max.) [%]: 10
- Temperature (min.) [°C]: -20
- Temperature (max.) [°C]: 60
- Temperature (min./max.) [°C]: -20/60
- Temperature (min.) [°F]: -4 °F
- Temperature (max.) [°F]: 140 °F
- Push and pull force (max.) [N]: 3,000
- Operating mode (duty cycle): S2 - 5 min
- Running speed (max.) [cm/s]: 2
- Opening angle (max.) [°]: 120
- Operating voltage [V]: 24 V-DC
- Operating voltage type: Direct current
- Motor voltage [V]: 24 V-DC
- Rated current [A]: 1.7
- Width [mm]: 136
- Height [mm]: 208
- Depth (min.) [mm]: 768
- Depth (max.) [mm]: 1,173
- Movement stroke (max.) [mm]: 405
- Weight [kg]: 7.5
- Garantie: 5 years

Control x.52

- Protection class: IP65
- Protection class: I
- Temperature (min.) [°C]: -20
- Temperature (max.) [°C]: 60
- Temperature (min./max.) [°C]: -20/60
- Temperature (min.) [°F]: -4
- Temperature (max.) [°F]: 140
- On-site supply: 230 V/1~/50 Hz 230 V/1~/60 Hz
- Motor voltage [V]: 24 V-DC
- Control voltage [V]: 24 V-DC
- Rated current [A]: 1.7
- Power consumption [VA/W/kW]: 0.4 kW
- Power consumption in standby [VA/W/kW]: 3.2 W
- Width [mm]: 120
- Height [mm]: 240
- Depth [mm]: 100

Digital 921

- Channels: 256
- Number of memory locations: 200
- Antenna: Wire antenna
- Radio frequency: 868 MHz
- Radio technology: bi.linked
- Radio coding: Marantec
- Communication direction: Bidirectional
- Protection class: IP00
- Temperature (min.)[°C]: -20
- Temperature (max.)[°C]: 60
- Temperature (min./max.)[°C]: -20/60
- Temperature (min.)[°F]: -4
- Temperature (max.)[°F]: 140
- Operating voltage [V]: 5 V-DC
- Rated current [A]: 0.002
- Width [mm]: 23
- Height [mm]: 7.7
- Depth [mm]: 48.4
- Packing width: 51
- Packing height: 13
- Packing depth/length: 59
- Packing weight: 0.009
- Freight forwarding articles: No
- GTIN: 4062434001097
- Customs tariff number: 85269200
- Country of origin 1000: Deutschland
- Garantie: 2 years

Digital 564

- Housing type: Mini
- Number of freely programmable keys: 4
- Channels: 4
- Antenna: Integrated
- Radio frequency: 868 MHz
- Radio technology: bi.linked
- Radio coding: Marantec
- Communication direction: Unidirectional
- Color: RAL 9005 RAL 9016
- Temperature (min.)[°C]: -20
- Temperature (max.)[°C]: 60
- Temperature (min./max.)[°C]: -20/60
- Temperature (min.)[°F]: -4

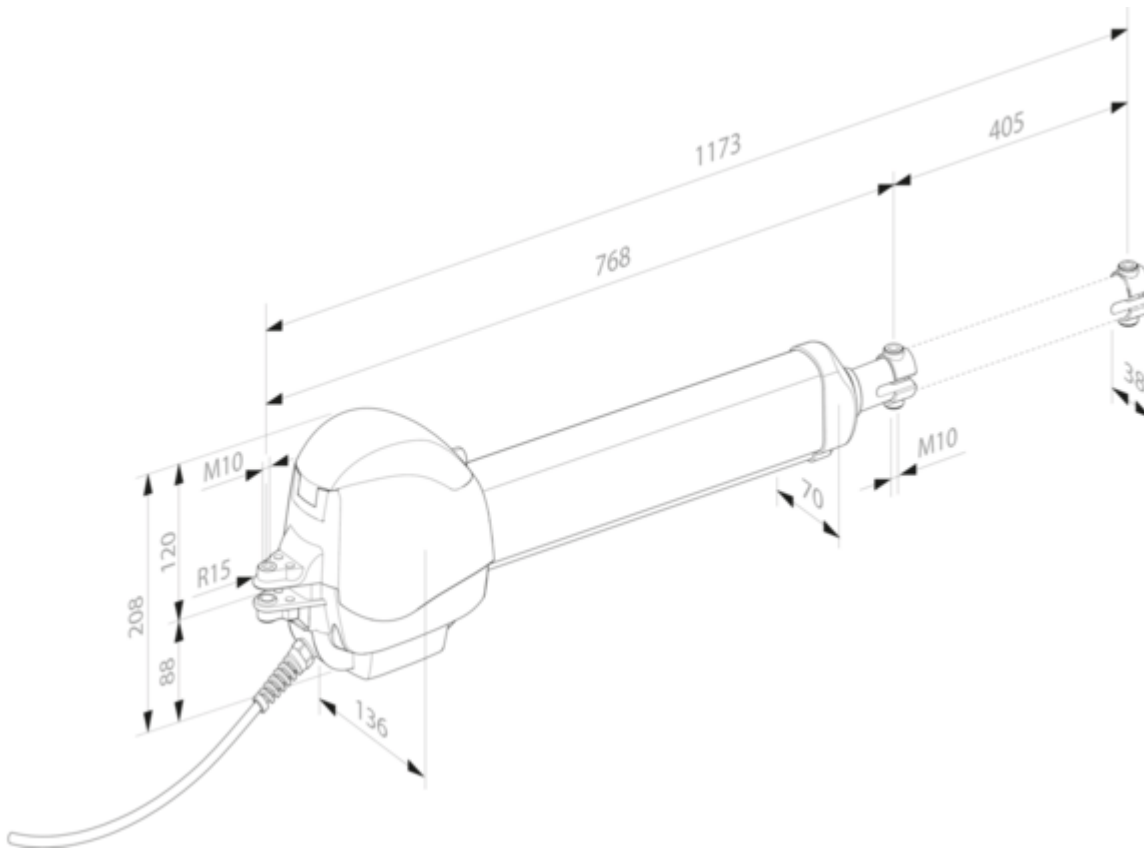
- Temperature (max.) [°F]: 140
- battery type: CR2032, 3 V
- Battery count: 1
- Width [mm]: 39
- Height [mm]: 92
- Depth [mm]: 12
- Weight [kg]: 0.04
- Packing width: 56
- Packing height: 52
- Packing depth/length: 101
- Packing weight: 0.114
- Freight forwarding articles: No
- GTIN: 4062434000892
- Customs tariff number: 85269200
- Country of origin 1000: Deutschland
- Garantie: 2 years

Accessories

Item no.	Description
104734	Special 525 Fastening set for swing gates with rising hinges and a slope of max. 10%
167922	Special 516 Connection cable 6x0.75 mm ² with cable cover for direct installation in the operator housing, 10 m
102670	Connecting cable 8x0.75 mm ² , 10 m
74460	Special 505 Gate and pillar angle bracket for e dimension from 150 to 200 mm
76272	Special 506 Installation plate for angle bracket for gate leaves with narrow frame
122089	Pillar bracket 110/130 to increase the dimension A on the gate pillar
122090	Pillar bracket 115/215 Can be shortened in 20 mm increments, to increase dimension B on the gate pillar
122091	Bracket to increase the dimension A on the gate pillar
71708	Special 402 24 V-DC electric lock for pillar locking from a wing span of 2.5 m
71707	Special 403 24 V-DC electric lock for floor locking from a wing span of 2.5 m
564518	Special 404 Overrun block for screwing
150010	Special 407 Stop bracket for setting in concrete
150027	Special 408 Stop bracket for setting in concrete

Technical drawings

Comfort 525



Control x.52

