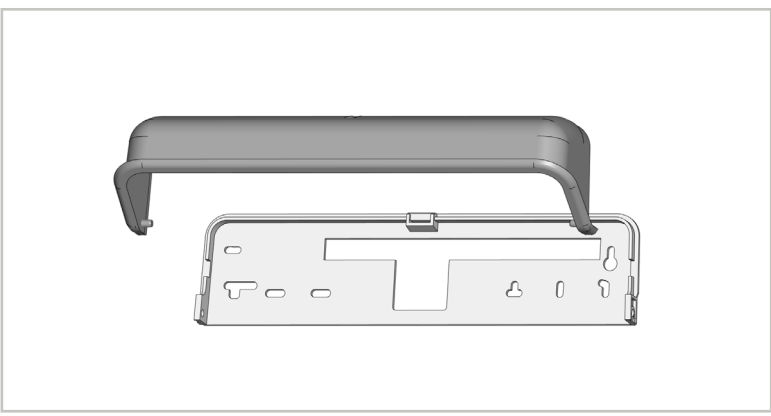


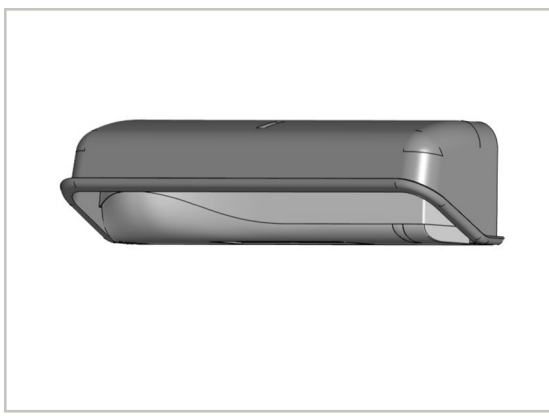
# IXIO/VIO RA

RAIN ACCESSORY FOR  
IXIO-D & IXIO-S, VIO-D & VIO-S

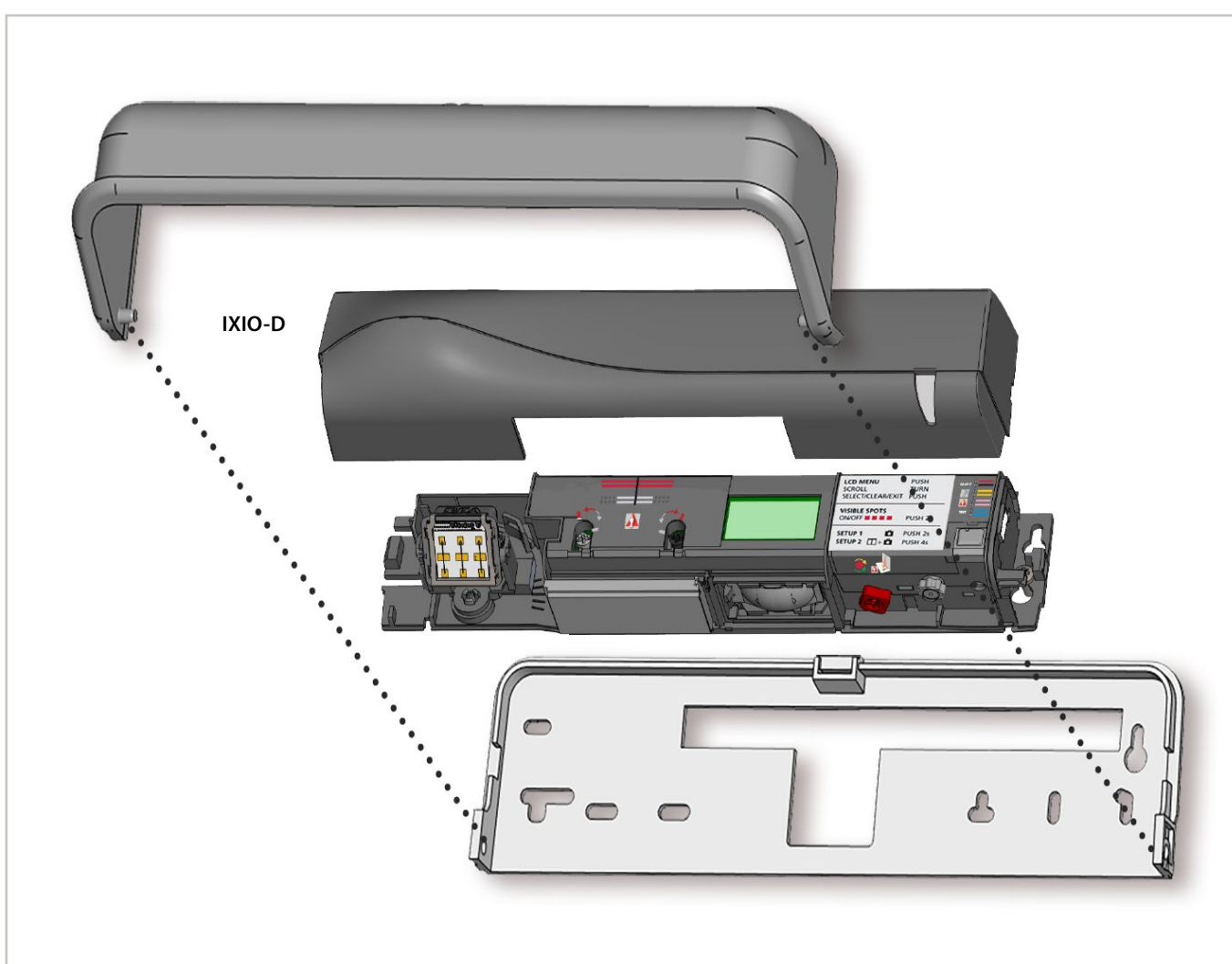
## DESCRIPTION



## USE



## INSTALLATION



## IXIO-S POSITION

