

Comfort KST3224



Article

| Item no. | Description |
|----------|---|
| 178370 | Comfort KST3224 Set for double-leaf swing gates up to 3.0 m: 24 V DC motor, 1,400 N, 2.5 cm/s, 128°, without encoder |

Scope of delivery

- Left and right motor unit without cable (2x1.5 mm² required)
- External control unit Control CBX20224L with integrated radio receiver, 868 MHz bi.linked
- 2 Digital 572 Micro hand transmitters 2-channel, 868 MHz bi.linked
- LS22 one-way light barrier without cable
- Gate and angle bracket

Features

Comfort ST3024

Features

- Active closing edge protection necessary
- Mechanical end stop in end position OPEN and CLOSED necessary
- 2-wire technology for easy retrofitting
- Very quiet mechanism
- All mechanical parts protected against weather influences
- Sturdy and UV-resistant plastic housing
- Gate and pillar angle for easy motor installation

CBX20224L

Features functions

- Current-dependent obstacle detection with reversal
- Soft start/soft stop/soft run
- Automatic feed function
- Gate open time and prewarning time separately programmable
- Lighting duration programmable and switchable by radio
- Partial opening programmable
- Running speed OPEN and CLOSE separately programmable
- Soft run speed OPEN and CLOSE separately programmable
- Soft run position OPEN and CLOSE separately programmable
- Cycle counter
- Maintenance interval programmable
- Error signaling
- Simple reset function (complete reset)

Features operation

- Same programming logic for all controls - CBX102B, CBX10224 and CBX20224
- 2 menus: simple and advanced - for easy programming, but customizable installation
- Programming and status indication via LED display

Features structure and connection

- Battery backup can be integrated in the housing
- Integrated radio receiver bi.linked 868 MHz
- Connection (conventional) for push button
- Connection (conventional) for 4-wire photoelectric sensor OPEN and CLOSED
- Connection (conventional) for holding circuit
- Connection (conventional) for 8.2 kOhm contact strip
- Connection (conventional) for 24 V-DC signal light
- Connection (conventional) for 12 V-AC electric lock
- Connection for battery backup
- Output 24 V-DC, max. 250 mA

Digital 572

Features

- 2 function keys for free assignment
- Signaling by red LED
- Eyelet for attachment to keychain or lanyard
- High security through 128-bit AES-encrypted radio transmission and constantly changing radio code (rolling code method)

Use

CBX20224L

- For Comfort ST3024 and RA2224(E)

Digital 572

- For all Marantec controls and third-party products (in conjunction with corresponding bi.linked receiver)

Technical data

Comfort ST3024

- Encoder: No
- Continuous sound pressure level (max.) [dB(A)]: 70
- Connection type: Conventional
- Protection class: IP44
- Width gate wing (max.) [m]: 3
- Height gate wing (max.) [m]: 2
- Weight of gate leaf (max.) [kg]: 400
- Gradient (max.) [%]: 0
- Temperature (min.) [°C]: -20
- Temperature (max.) [°C]: 55
- Temperature (min./max.) [°C]: -20/55
- Temperature (min.) [°F]: -4 °F
- Temperature (max.) [°F]: 131 °F
- Push and pull force (max.) [N]: 1,400
- Motor power [kW]: 0.09
- Running speed (max.) [cm/s]: 2.5
- Opening angle (max.) [°]: 128
- Operating voltage [V]: 24 V-DC
- Operating voltage type: Direct current
- Motor voltage [V]: 24 V-DC
- Rated current [A]: 3.5
- Width [mm]: 115
- Height [mm]: 177
- Depth [mm]: 741
- Depth (min.) [mm]: 741
- Depth (max.) [mm]: 1,141
- Movement stroke (max.) [mm]: 400
- Weight [kg]: 3.2
- Garantie: 5 years

CBX20224L

- Radio frequency: 868 MHz
- Radio technology: bi.linked
- Protection class: IP54
- Temperature (min.)[°C]: -20
- Temperature (max.)[°C]: 55
- Temperature (min./max.)[°C]: -20/55
- Temperature (min.)[°F]: -4
- Temperature (max.)[°F]: 131
- On-site supply: 230 V/1~/50 Hz 230 V/1~/60 Hz
- Operating voltage [V]: 24 V-DC
- Motor voltage [V]: 24 V-DC
- Control voltage [V]: 24 V-DC
- Load capacity Power (max.)[kW]: 0.21
- Width [mm]: 222
- Height [mm]: 275
- Depth [mm]: 110

Digital 572

- Housing type: Micro
- Number of freely programmable keys: 2
- Channels: 2
- Antenna: Integrated
- Radio frequency: 868 MHz
- Radio technology: bi.linked
- Radio coding: Marantec
- Communication direction: Unidirectional
- Color: RAL 9005 RAL 9016
- Temperature (min.)[°C]: -20
- Temperature (max.)[°C]: 60
- Temperature (min./max.)[°C]: -20/60
- Temperature (min.)[°F]: -4
- Temperature (max.)[°F]: 140
- battery type: CR2032, 3 V
- Battery count: 1
- Width [mm]: 39
- Height [mm]: 60
- Depth [mm]: 12
- Weight [kg]: 0.03
- Packing width: 56
- Packing height: 52
- Packing depth/length: 76
- Packing weight: 0.055

- Freight forwarding articles: No
- GTIN: 4062434000922
- Customs tariff number: 85269200
- Country of origin 1000: Deutschland
- Garantie: 2 years

Accessories

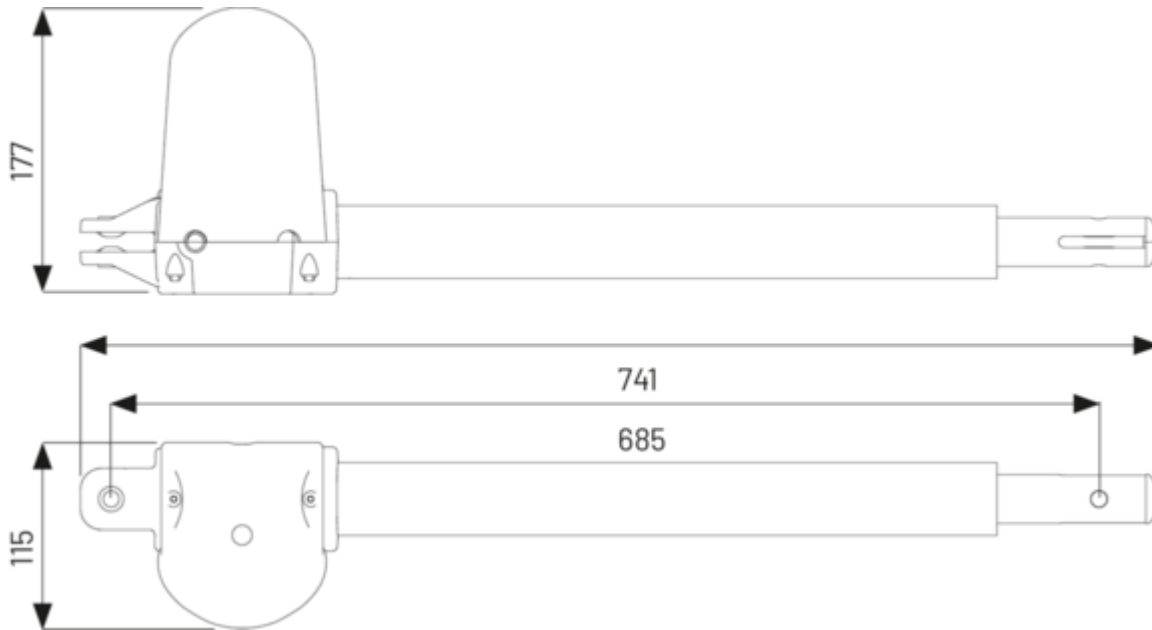
| Item no. | Description |
|----------|---|
| 178392 | KBP Battery backup, 1.3 Ah, for installation in a control housing |
| 178393 | KITFIXBATT Mounting set for battery backup in the control housing |
| 178386 | ADFB 2 adjustable gate brackets |
| 178387 | ADRB 2 adjustable angle brackets |
| 178391 | ELS-C 12 V AC electric lock for post lock, for gate wings 2.5 m or wider |
| 178392 | KBP Battery backup, 1.3 Ah, for installation in a control housing |
| 178393 | KITFIXBATT Mounting set for battery backup in the control housing |

Successors

| Item no. | Description | Market launch |
|----------|---|---------------|
| 191487 | Comfort KST3324 Set for double-leaf swing gates up to 3.0 m: 24 V DC motor, 1,400 N, 2.5 cm/s, 128°, without encoder | 2023-08-15 |

Technical drawings

Comfort ST3024



CBX20224L

