

# Comfort 515



## Article

---

Item no.	Description
177705	<b>Comfort 515</b> Set for single-leaf swing gates up to 2.5 m: 24 V DC motor, 1,000 N, 2.0 cm/s, 120°

## Scope of delivery

---

- Motor unit, pre-wired 2x0.75 mm<sup>2</sup> 1.500 mm
- External control Control x.52
- Digital 921 Module receiver, 868 MHz bi.linked
- Digital 564 mini hand transmitter 4-channel, 868 MHz bi.linked
- Gate and angle bracket
- Installation material

## Features

---

### Comfort 515

#### Features

- Current-dependent obstacle detection - no active closing edge protection necessary
- 2-wire technology for easy retrofitting
- DC motor: soft start and stop are gentle on the door, separately adjustable opening and closing speeds enable fast opening and standard-compliant closing
- Non-contact limit switches
- Very quiet mechanism
- All mechanical parts protected against weather influences

- Sturdy and UV-resistant plastic housing
- Gate and pillar angle for easy motor installation
- Lockable unlocking device

## Control x.52

### Features functions

- Power-saving technology
- Soft start/soft stop/soft run
- Electronic anti-deferral device
- Blocking protection
- Runtime limit
- Automatic feed function (can only be used in conjunction with a light barrier)
- Gate open time and prewarning time separately programmable
- Lighting duration programmable and switchable by radio
- Automatic cut-out OPEN and CLOSE separately programmable
- Partial opening programmable
- Active leaf function programmable for 2-leaf gates
- Running speed OPEN and CLOSE separately programmable
- Soft run position OPEN and CLOSE separately programmable
- Soft run speed OPEN and CLOSE separately programmable
- Relay output programmable: signal light, door position OPEN or CLOSED, wipe impulse (1 s), fault, lighting
- Cycle counter
- Maintenance interval programmable
- Error signaling with error memory
- Multi-level reset function (control, safety, radio, etc.)

### Features operation

- Marantec EOS programming
- Programming and status message via LC display
- Programming and diagnostics possible via optional external handheld programmer

### Features structure and connection

- Pluggable radio receiver
- Connection (conventional) for push button
- Connection (conventional) for 2-wire or 4-wire photoelectric sensor OPEN and CLOSED
- Connection (conventional) for holding circuit
- Connection (conventional) for 8.2 kOhm contact strip OPEN and CLOSED
- Connection (conventional) for 24 V-DC signal light
- Connection (conventional) for electric lock 24 V-DC
- Connection (MS bus) for handheld programmer and expansion modules
- Connection for battery backup
- Output 24 V-DC, max. 50 mA

## Digital 921

### Features

- IMPULSE function
- Generous memory for up to 200 keys
- Directly pluggable into the control system
- Compact size

## Digital 564

### Features

- 4 function keys for free assignment
- Signaling by red LED
- Eyelet for attachment to keychain or lanyard
- High security through 128-bit AES-encrypted radio transmission and constantly changing radio code (rolling code method)

## Use

---

### Control x.52

- For Comfort 515 (L), 516 (L), 525 (L) and 530 L

### Digital 921

- For Comfort 260 (accu/speed), 270 (speed), 280, 360, 370, 380 and 390 (plus) from control box R10. For Control x.52, CS 265 and VTA

### Digital 564

- For all Marantec controls and third-party products (in conjunction with corresponding bi.linked receiver)

## Technical data

---

### Comfort 515

- End position system: Electronic limit switches
- Overload protection: Shutdown via current consumption
- Continuous sound pressure level (max.) [dB(A)]: 70
- Connection type: Conventional
- Protection class: IP44
- Width gate wing (max.) [m]: 2.5
- Height gate wing (max.) [m]: 2
- Weight of gate leaf (max.) [kg]: 200

- E dimension (min.) [mm]: 0
- E dimension (max.) [mm]: 160
- E dimension (min./max.) [mm]: 0/160
- Gradient (max.) [%]: 0
- Temperature (min.) [°C]: -20
- Temperature (max.) [°C]: 60
- Temperature (min./max.) [°C]: -20/60
- Temperature (min.) [°F]: -4 °F
- Temperature (max.) [°F]: 140 °F
- Push and pull force (max.) [N]: 1,000
- Operating mode (duty cycle): S2 - 5 min
- Running speed (max.) [cm/s]: 2
- Opening angle (max.) [°]: 120
- Operating voltage [V]: 24 V-DC
- Operating voltage type: Direct current
- Motor voltage [V]: 24 V-DC
- Rated current [A]: 1.7
- Width [mm]: 122
- Height [mm]: 198
- Depth (min.) [mm]: 723
- Depth (max.) [mm]: 1,136.5
- Movement stroke (max.) [mm]: 413.5
- Weight [kg]: 5.4
- Garantie: 5 years

## Control x.52

- Protection class: IP65
- Protection class: I
- Temperature (min.) [°C]: -20
- Temperature (max.) [°C]: 60
- Temperature (min./max.) [°C]: -20/60
- Temperature (min.) [°F]: -4
- Temperature (max.) [°F]: 140
- On-site supply: 230 V/1~/50 Hz 230 V/1~/60 Hz
- Motor voltage [V]: 24 V-DC
- Control voltage [V]: 24 V-DC
- Rated current [A]: 1.7
- Power consumption [VA/W/kW]: 0.4 kW
- Power consumption in standby [VA/W/kW]: 3.2 W
- Width [mm]: 120
- Height [mm]: 240
- Depth [mm]: 100

## Digital 921

- Channels: 256
- Number of memory locations: 200
- Antenna: Wire antenna
- Radio frequency: 868 MHz
- Radio technology: bi.linked
- Radio coding: Marantec
- Communication direction: Bidirectional
- Protection class: IP00
- Temperature (min.)[°C]: -20
- Temperature (max.)[°C]: 60
- Temperature (min./max.)[°C]: -20/60
- Temperature (min.)[°F]: -4
- Temperature (max.)[°F]: 140
- Operating voltage [V]: 5 V-DC
- Rated current [A]: 0.002
- Width [mm]: 23
- Height [mm]: 7.7
- Depth [mm]: 48.4
- Packing width: 51
- Packing height: 13
- Packing depth/length: 59
- Packing weight: 0.009
- Freight forwarding articles: No
- GTIN: 4062434001097
- Customs tariff number: 85269200
- Country of origin 1000: Deutschland
- Garantie: 2 years

## Digital 564

- Housing type: Mini
- Number of freely programmable keys: 4
- Channels: 4
- Antenna: Integrated
- Radio frequency: 868 MHz
- Radio technology: bi.linked
- Radio coding: Marantec
- Communication direction: Unidirectional
- Color: RAL 9005 RAL 9016
- Temperature (min.)[°C]: -20
- Temperature (max.)[°C]: 60
- Temperature (min./max.)[°C]: -20/60
- Temperature (min.)[°F]: -4

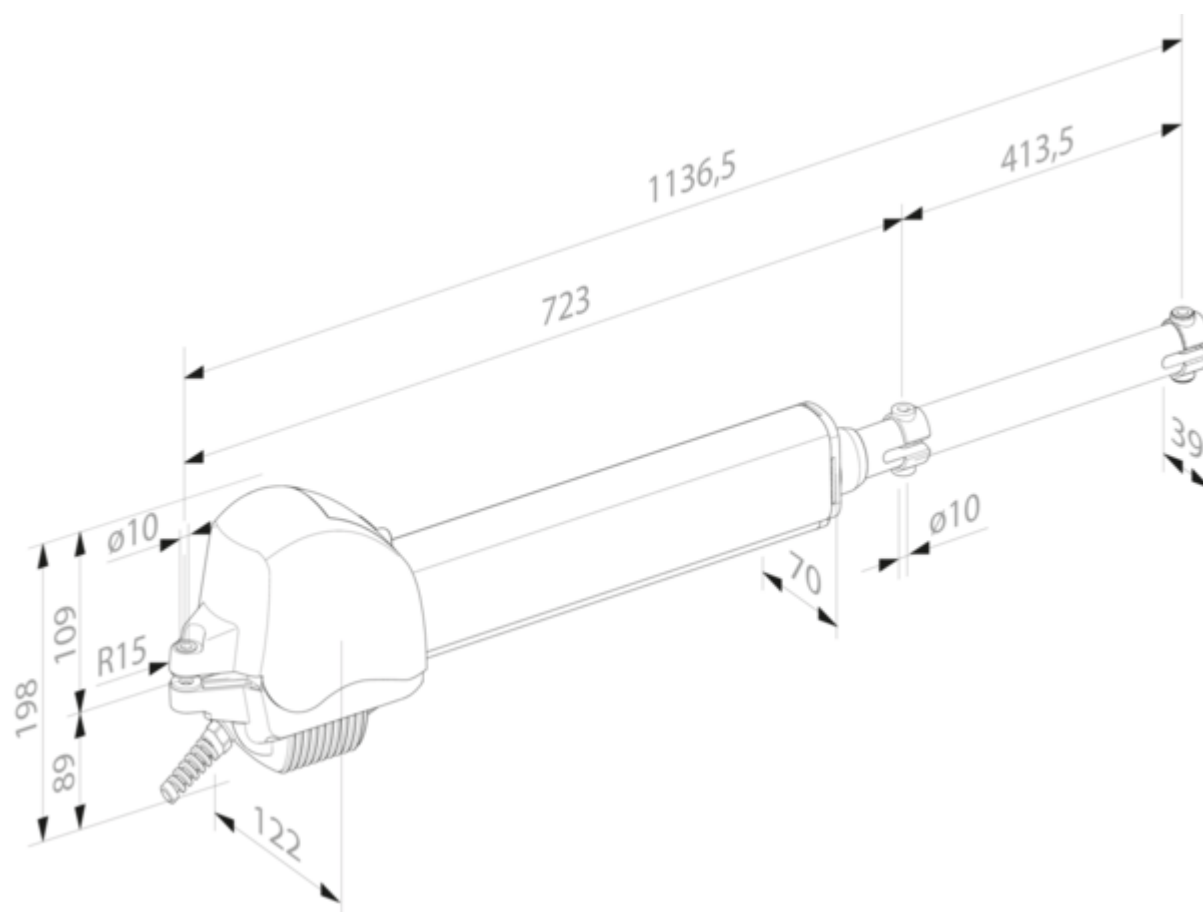
- Temperature (max.) [°F]: 140
- battery type: CR2032, 3 V
- Battery count: 1
- Width [mm]: 39
- Height [mm]: 92
- Depth [mm]: 12
- Weight [kg]: 0.04
- Packing width: 56
- Packing height: 52
- Packing depth/length: 101
- Packing weight: 0.114
- Freight forwarding articles: No
- GTIN: 4062434000892
- Customs tariff number: 85269200
- Country of origin 1000: Deutschland
- Garantie: 2 years

## Accessories

Item no.	Description
122091	<b>Bracket</b> to increase the dimension A on the gate pillar
122089	<b>Pillar bracket 110/130</b> to increase the dimension A on the gate pillar
122090	<b>Pillar bracket 115/215</b> Can be shortened in 20 mm increments, to increase dimension B on the gate pillar
74460	<b>Special 505</b> Gate and pillar angle bracket for e dimension from 150 to 200 mm
76272	<b>Special 506</b> Installation plate for angle bracket for gate leaves with narrow frame
182021	<b>Special 304</b> Emergency release for swing and sectional doors, 26 mm security cylinder lock with 2 keys and 0.7 m Bowden cable
182027	<b>Special 305</b> Emergency release for swing and sectional doors, 13 mm cylinder lock with 2 keys and 1.7 m Bowden cable
71708	<b>Special 402</b> 24 V-DC electric lock for pillar locking from a wing span of 2.5 m
71707	<b>Special 403</b> 24 V-DC electric lock for floor locking from a wing span of 2.5 m
564518	<b>Special 404</b> Overrun block for screwing
150010	<b>Special 407</b> Stop bracket for setting in concrete
150027	<b>Special 408</b> Stop bracket for setting in concrete

# Technical drawings

## Comfort 515



Control x.52

