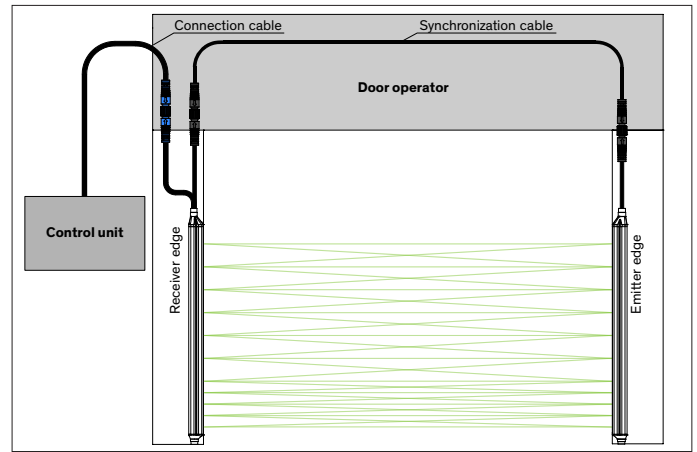
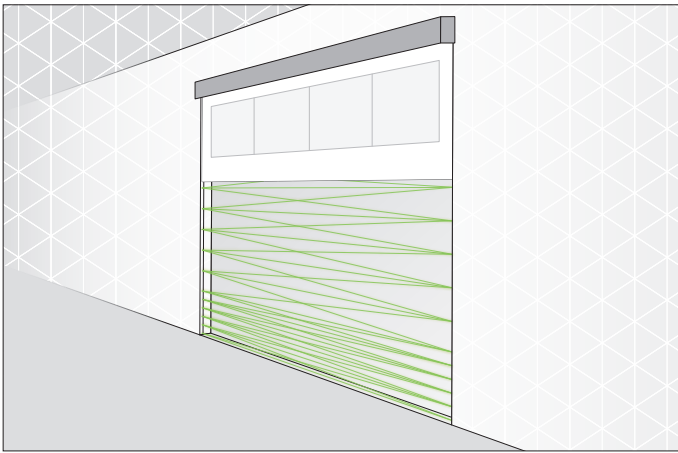


## Overview

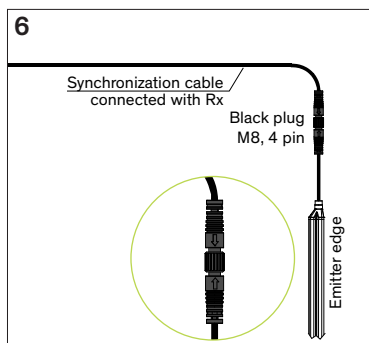
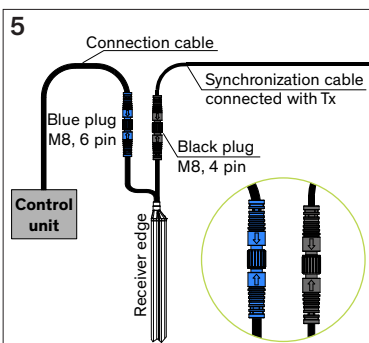
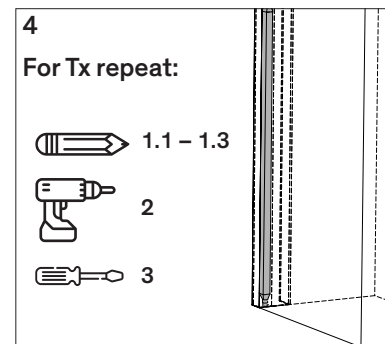
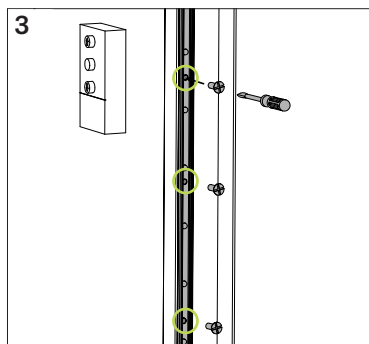
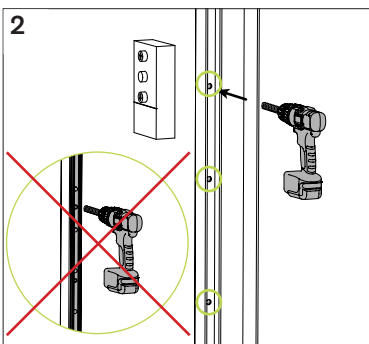
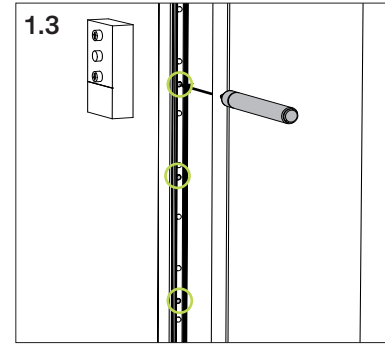
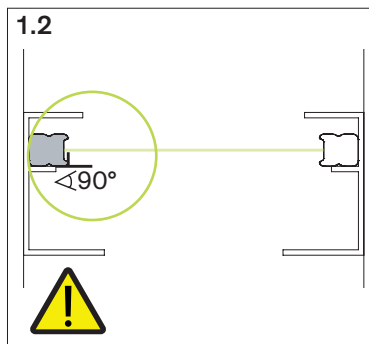
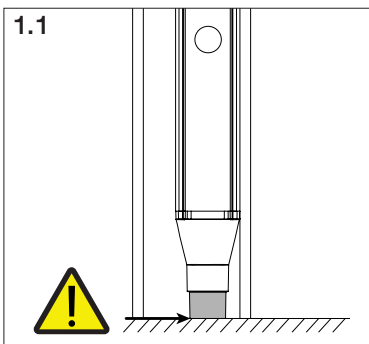


## Installation on door

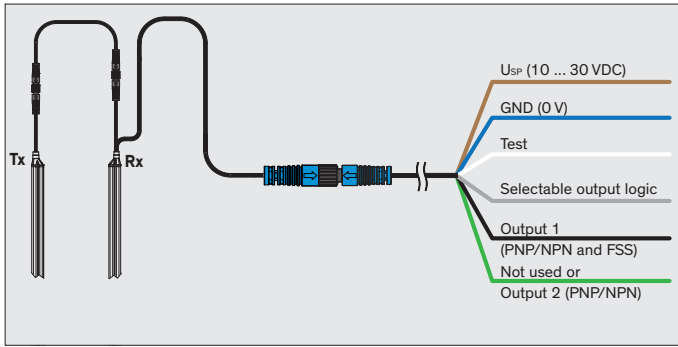


### Important:

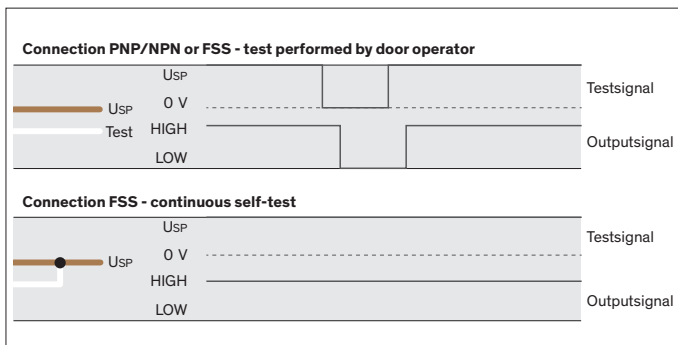
- ▶ Switch off main power and mark door „Out of service“.
- ▶ Mount the receiver edge into the guiding rail next to the door control unit.



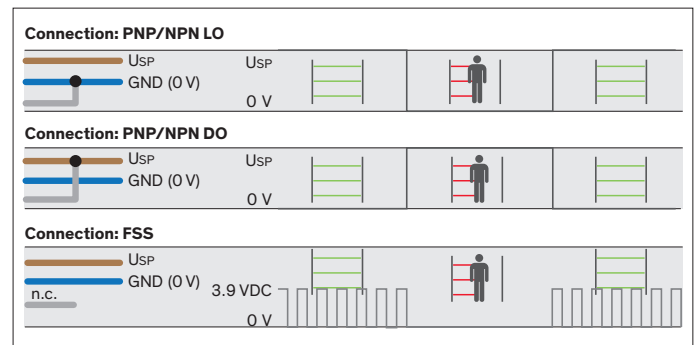
## Electrical connection



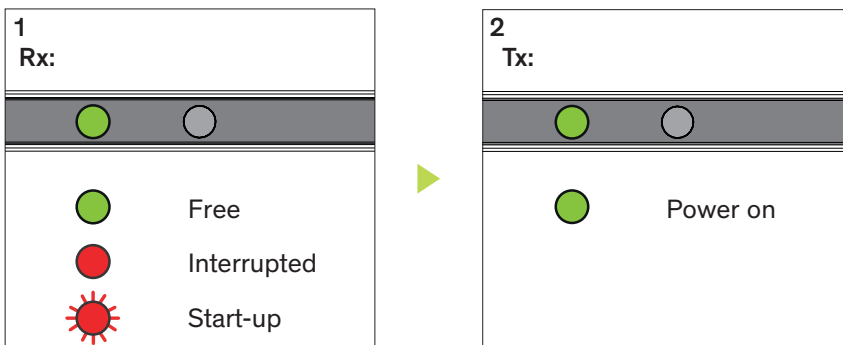
## Test connection



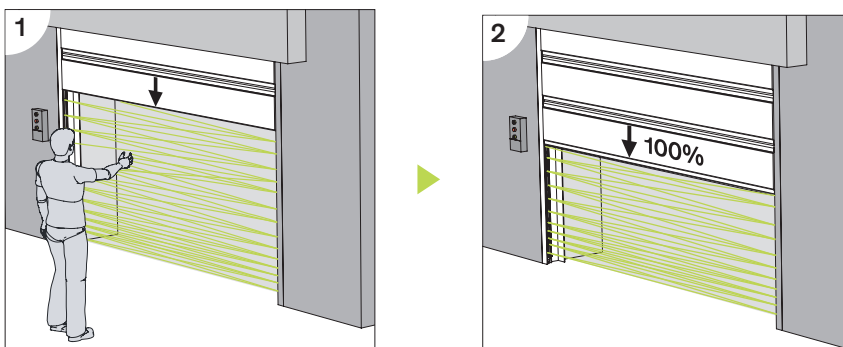
## Output selector - Output 1



## LED description



## Testing



Manual



Product information and movie

[www.cedes.com](http://www.cedes.com)

Complete Installation and Operation Manual and further information

**CEDES**